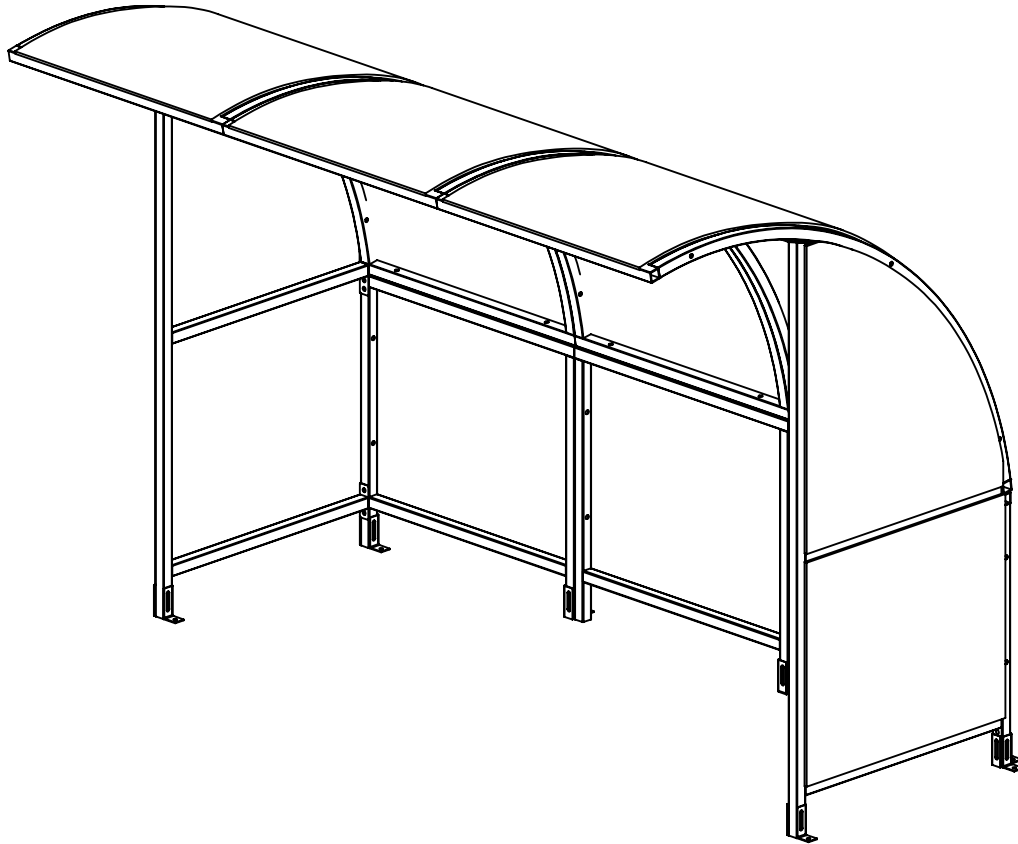


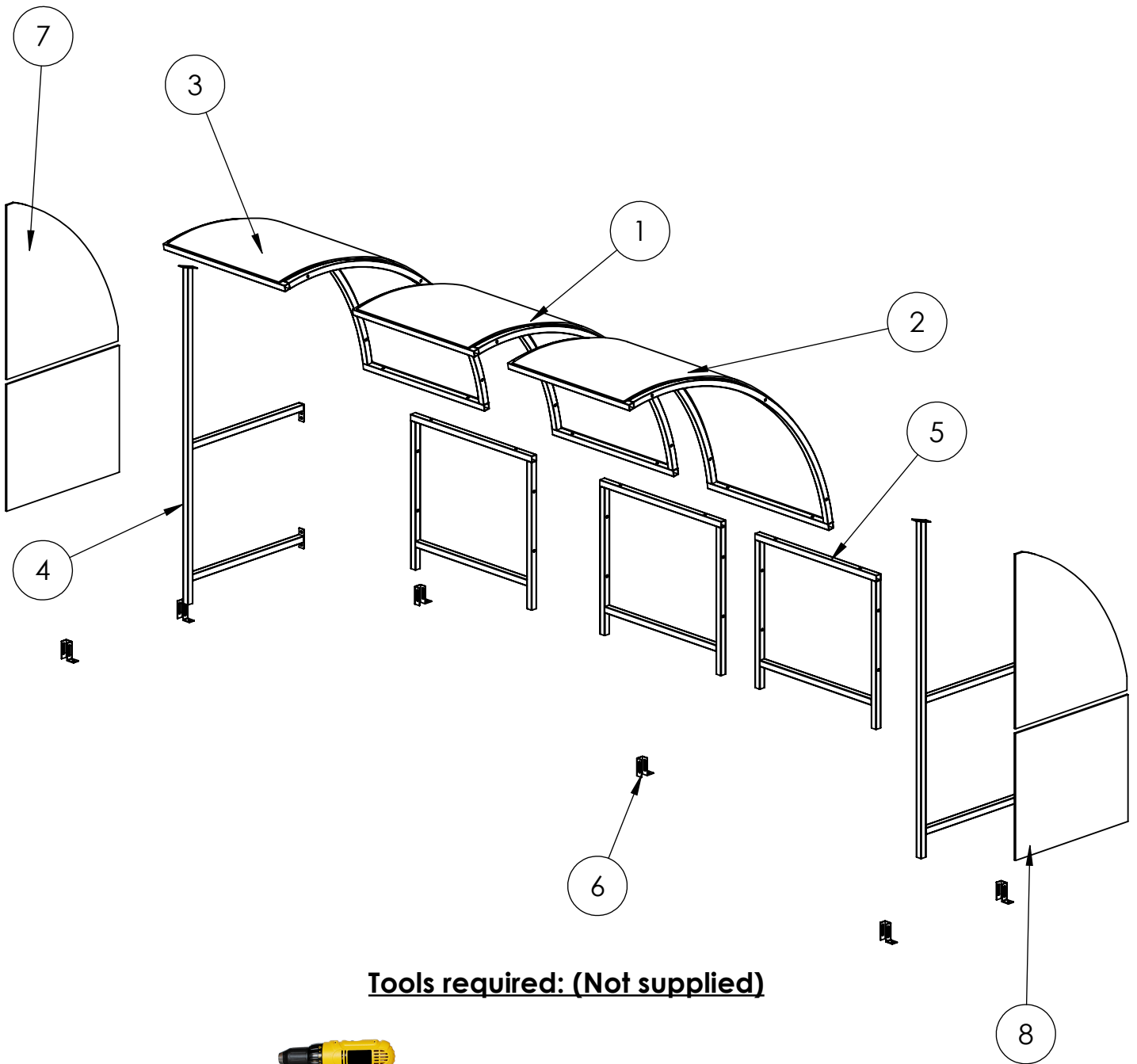
# Assembly Instructions



Email : [sales@shelters4less.co.uk](mailto:sales@shelters4less.co.uk)  
Web : [www.shelters4less.co.uk](http://www.shelters4less.co.uk)  
Tel : 0800 160 1002

**Shelter type: Derby**

**SR0060-01-011216**



**Tools required: (Not supplied)**

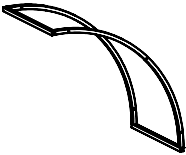
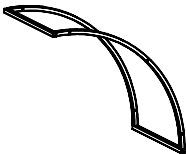
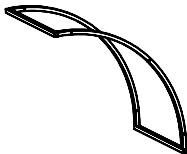
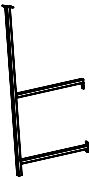
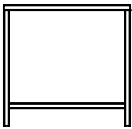
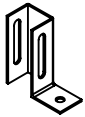


Drill/Screwdriver

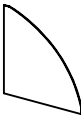



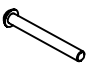
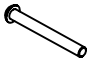


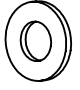
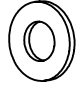

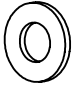



Socket set


## PARTS LIST & FITTINGS

ITEM NO.	PART NO.	DESCRIPTION	IMAGE	exploded / QTY.
1	CHD1	Roof Frame		1
2	CHD1.1	Right Roof Frame Holes drilled or right side to attach to Side Frame		1
3	CHD1.2	Left Roof Frame Holes drilled of the left side to attach to side Frame		1
4	CHD2	Side Frame		2
5	CHD3	Back Square Frame		3
6	FT1	Feet		6

### EXTRA PARTS SUPPLIED FOR END PANEL OPTION

7	CHD end sheet	Polycarbonate sheeting triangle		2
8	CHD end sheet	Polycarbonate sheeting Square		2

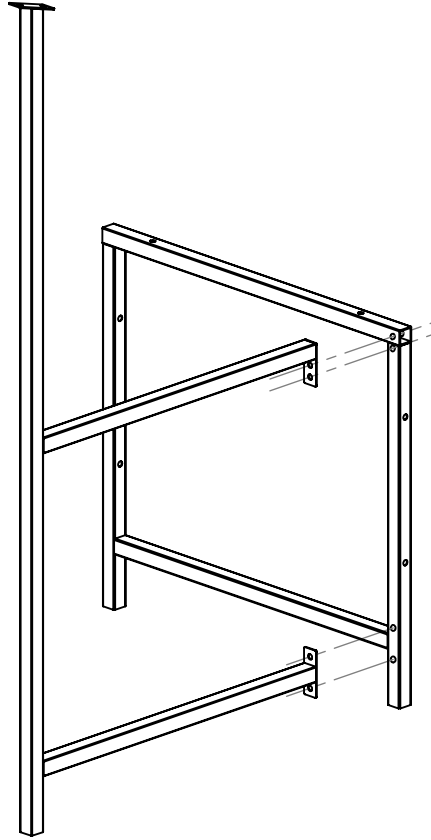
Fittings	M8 x 20 bolts	M10 x 60 bolts	M10 x 100 bolts	M10 Nylock nuts	M8 Washer	M10 Washer	M12 x 100 Anchor bolts	M12 washers	M10 Black caps	M8 Black caps	40 x 40 black caps
QTY.	12	6	16	22	12	44	6	6	50	12	4
Image											

25mm Tech Screws	50	only supplied with End Panel Option	
------------------	----	-------------------------------------	---

# Step 1

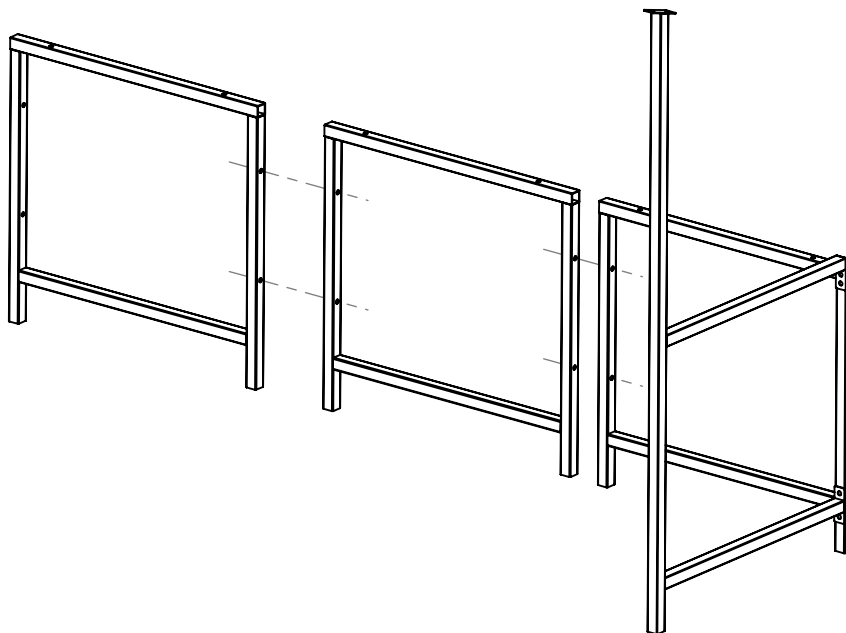
Take the left **Side Frame** and attach it to the **Back Square Frame** lining it up in positions shown below using the **M10x60 Bolts** supplied.

2 people recommended to fit this shelter.



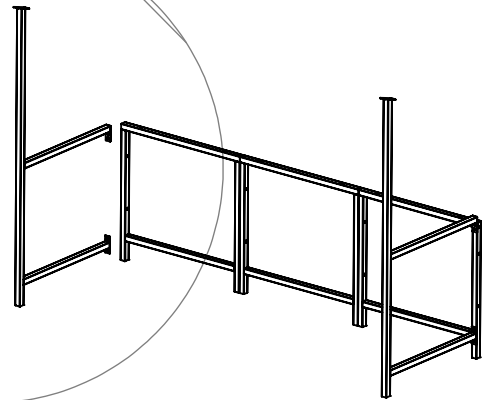
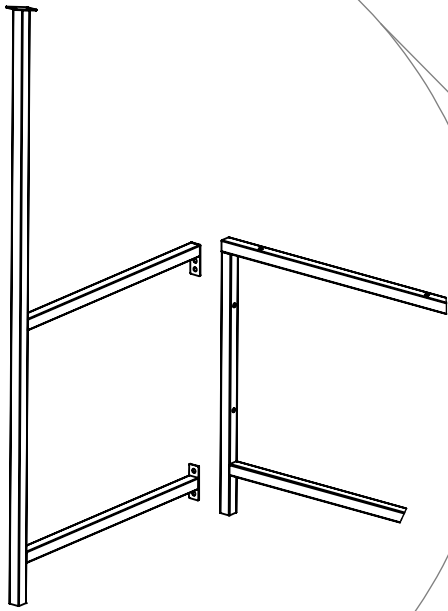
# Step 2

Take the other **Back Square Frame** and attach them side to side lining up the holes in the positions shown below. Use the M100 bolt



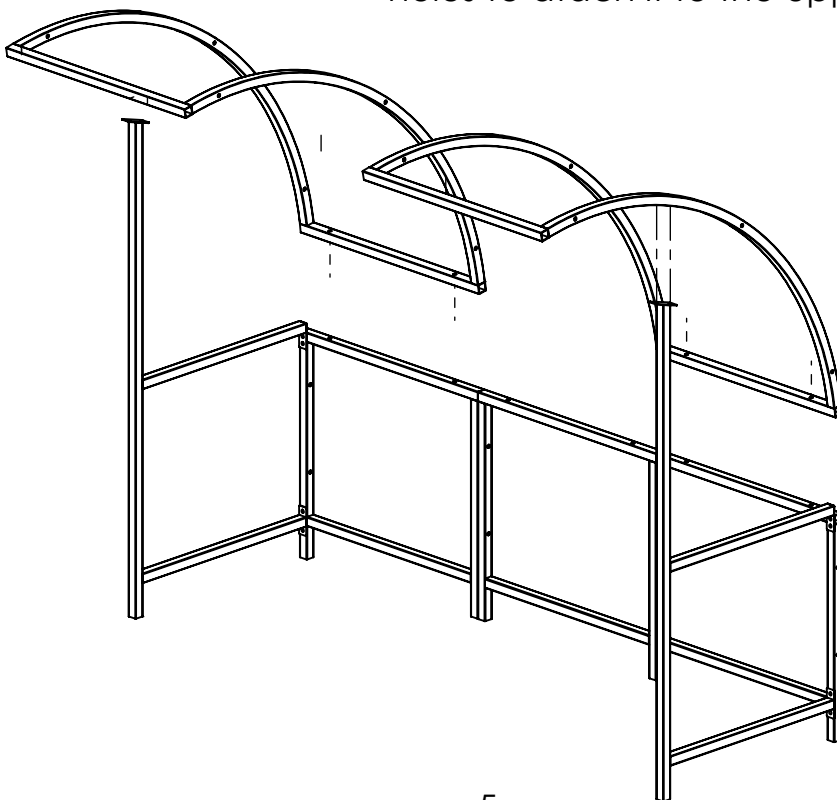
### Step 3

Take the **Right Side Frame** and attach it to the Assembly lining it up in positions shown below using the **M10x60 Bolts** supplied.



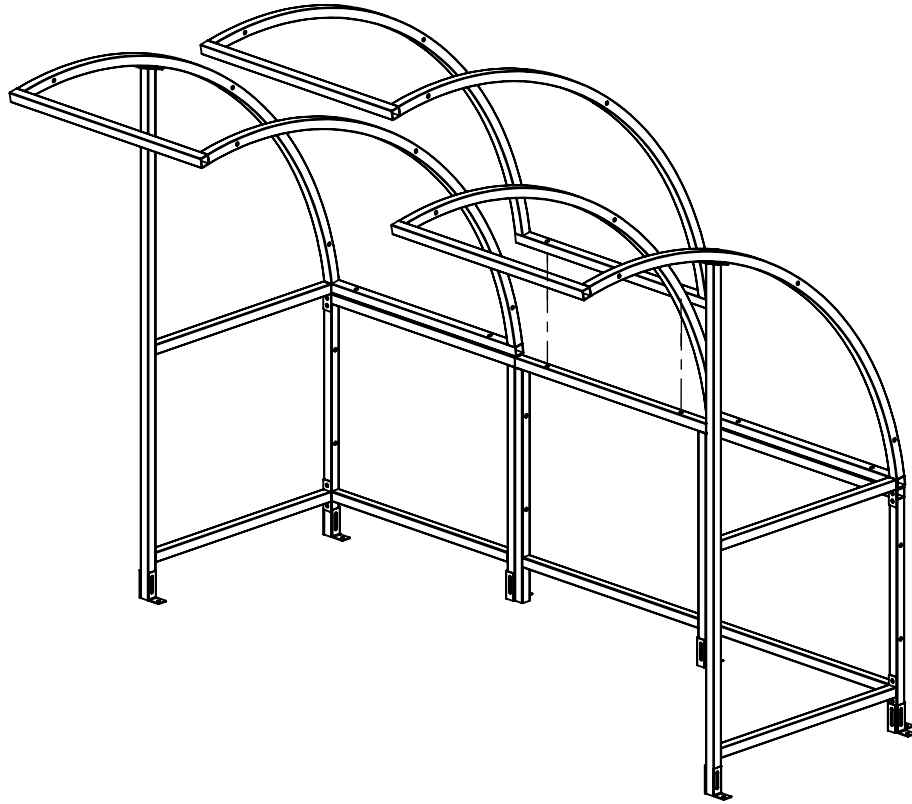
### Step 4

Take the two outside **Roof frames** and loosely attach them do the **Back Square Frame** then line up the holes to attach it to the upper vertical **Side Frames**



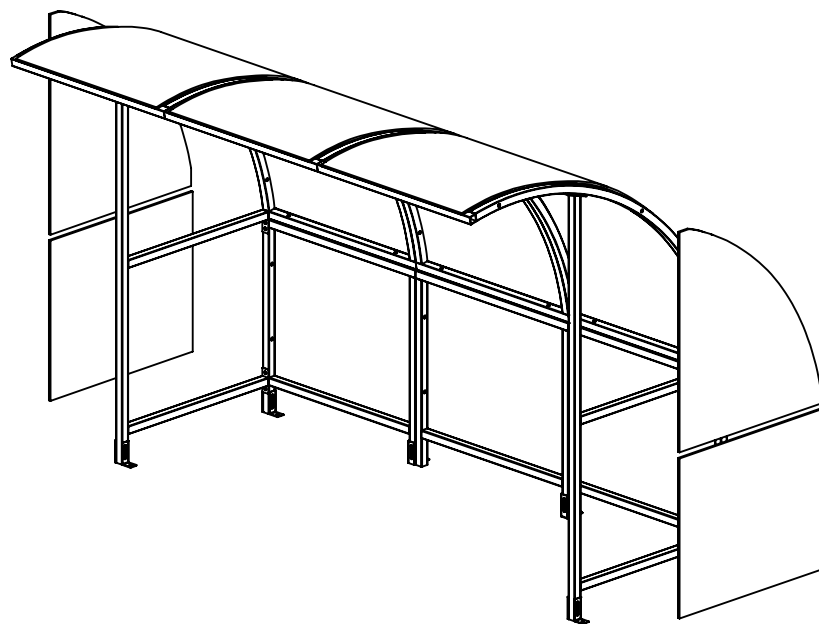
## Step 5

Do the same with the other sections but this time you are attaching it loosely to **Back Square Frame** and then bolting the side to the sides of each other.



**Step 6** FT1 feet added at this point then it can be fixed into position.

**Note:** Add **Plastic End Caps** at this point, all caps should be used.



Polycarbonate sheeting parts will vary depending on which model bought.

**NOTES:**

# THANK YOU FOR PURCHASING THIS PRODUCT

## MAINTENANCE:

To ensure your products give you many years of use we recommend that you:

- Clean panels regularly with soapy water
- Ensure all fittings are tight (for example after a big storm)
- Touch up any exposed metal should it get scratched

## CONTACT DETAILS:

Email : [sales@shelters4less.co.uk](mailto:sales@shelters4less.co.uk)

Web : [www.shelters4less.co.uk](http://www.shelters4less.co.uk)

Tel : 0800 160 1002

Shelters4Less, Unit 3, 2 Lansdowne Crescent, Bournemouth, BH1 1SA

<b>All Parts and Fixings checked by:</b>	
Print Name:	Signature: